

REFERENCE : KI0306

SIZES : U

COMPOSITION :

Main fabric : Polyester 210D PU backing As external fabric.

100%polyester

Lining 1 : EPA foam As special internal foam for cooler bags.

100%EPA

Lining 2 : PEVA As lining on inside, special for cooler bags.

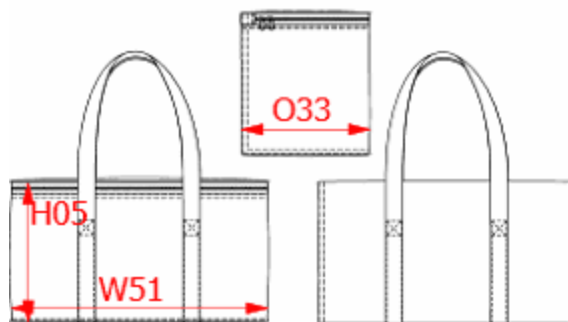
100%polyethylene vinyl acetate

FABRIC CONSTRUCTION AND FINISHING :

Polyester 210D PU backing+EPA+PEVA

ARTICLE WEIGHT :

300 gr/pc



DESCRIPTION		COLORS	PANTONE SERIGRAPHIE
Français : Sac isotherme English : Large cooler bag Nederlands : Large cooler bag Deutsch : Kühltasche Español : Bolsa nevera Italiano : Borsa termica Português : Saco termico		Light grey	2331C
		Navy	296C
MEASUREMENT			
Description	U		
H05 Hauteur totale / Total height	21		
W51 Total width	38		
O33 Deep of bottom part	19		
PACKING			
Box	40 pcs / box Size => L:64cm W:40cm H:49cm GW:13kg NW:12kg		