

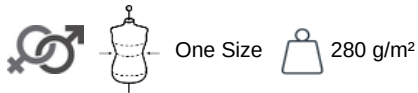
KARIBAN

K8005

Cotton apron high-temperature washable

- Must-have for professionals: industrial wash at 85°C.
- Functional thanks to its large front pocket with two compartments.
- Practical and adjustable.

100% cotton. Domestic washing at 60°C. Industrial washing at 85°C in accordance with ISO 15797 requirement standards. Neck tie with metal buckle to adjust the length of the apron. Large front pocket with two compartments. Apron : Length 90 cm - Width 76 cm. Pocket: Length 20 cm - Width 31.5 cm. Certified STANDARD 100 by OEKO-TEX® N° CQ1007/8, IFTH.



More information

Logistic



Country of origin

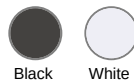


CN - China

Customs code



62114210



Black

White

Washing instructions

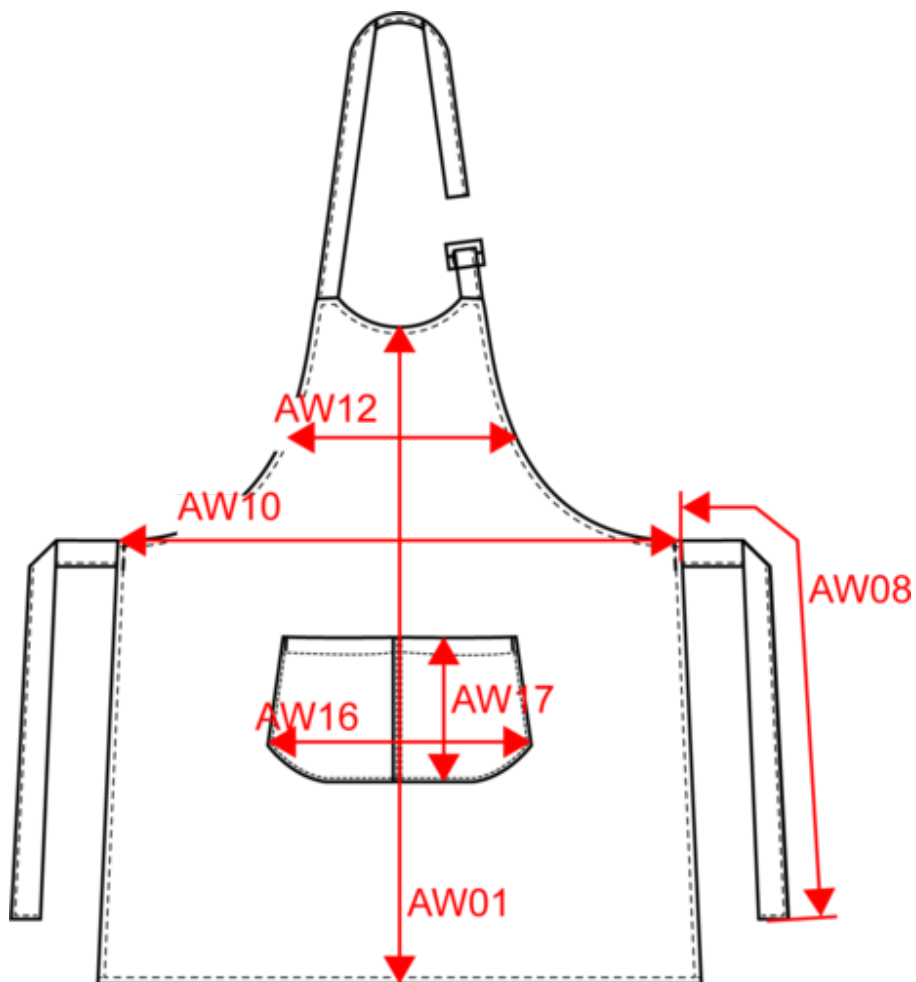


KARIBAN

K8005

Cotton apron high-temperature washable

Dimensions (cm)



Measurements in cm	One size
AW01 - Middle front height	90.00
AW08 - Apron waist strap length	100.00
AW10 - Apron waist width	76.00
AW12 - Apron chest width at 19cm from front middle	37.00
AW16 - Pocket bottom width	36.00
AW17 - Pocket height at highest point	20.00

KARIBAN

K8005

Cotton apron high-temperature washable

Colours information



Black

RVB : 35,35,37
Pantone C : Black
Pantone TCX : 19-4004TCX



White

RVB : 236,236,252
Pantone C : White
Pantone TCX : 11-0601TCX

Logistic



10



50

Sizes	Width (cm)	Height (cm)	Length (cm)	Net weight (kg)	Gross weight (kg)	Pieces/Box	Pieces/Bundle
One Size	40.00	24.00	60.00	14.70000	16.00000	50	1