

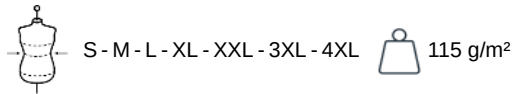
# KARIBAN

K505

## Men's long-sleeved pilot shirt

- Elegant, corporate look.
- Easy to clean thanks to easy-care treatment.
- Perfect for professional use.

65% polyester/35% cotton poplin. Easy-care. Matching buttons. 2 flap chest pockets including 1 with pen holder on left side. Back pleats. Buttoned placket on shoulders for attaching braids (braids not included). Adjustable buttoned cuffs. Certified STANDARD 100 by OEKO-TEX® N° CQ 1007/7, IFTH.

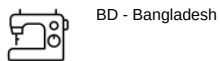


### More information

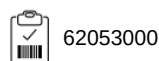
#### Logistic



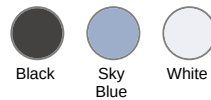
#### Country of origin



#### Customs code



#### Washing instructions



### Also available in version



K506

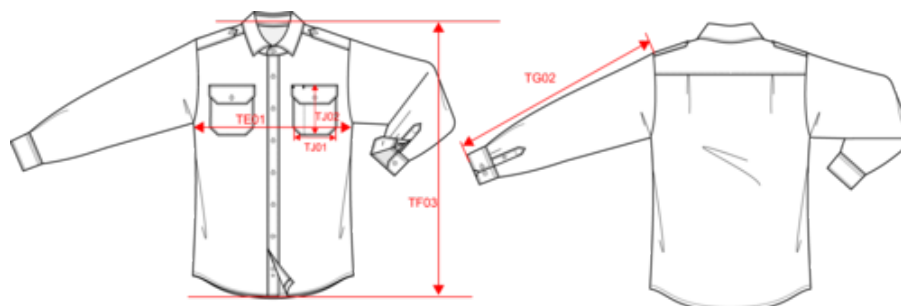


# KARIBAN

K505

## Men's long-sleeved pilot shirt

### Dimensions (cm)



Measurements in cm	S	M	L	XL	XXL	3XL	4XL
TE01 - 1/2 chest width at 1.5cm below armhole	51.00	54.00	57.00	60.00	63.00	66.00	69.00
TF01 - Total height from HSP	73.50	75.50	77.50	79.50	81.50	83.50	85.50
TG02 - Long sleeve length	64.00	65.00	66.00	67.00	68.00	69.00	70.00
TG13 - Underarm long sleeve length	49.40	50.20	51.00	51.75	52.50	53.25	54.00
TJ01 - Chest patched pocket(s) top width	12.00	12.00	13.00	13.00	14.00	14.00	15.00
TJ02 - Chest patched pocket(s) height at highest point	13.00	13.00	14.00	14.00	15.00	15.00	16.00

# KARIBAN

K505

## Men's long-sleeved pilot shirt

### Colours information



**Black**

RVB : 35,35,37  
Pantone C : Black  
Pantone TCX : 19-4004TCX



**Sky Blue**

RVB : 136,169,206  
Pantone C : 5425C  
Pantone TCX : 14-4121TCX



**White**

RVB : 236,236,252  
Pantone C : White  
Pantone TCX : 11-0601TCX

### Logistic



1



12

Sizes	Width (cm)	Height (cm)	Length (cm)	Net weight (kg)	Gross weight (kg)	Pieces/Box	Pieces/Bundle
S	38.00	20.00	54.00	0.00000	4.40000	12	0
M	38.00	20.00	54.00	0.00000	4.60000	12	0
L	38.00	20.00	54.00	0.00000	4.70000	12	0
XL	38.00	20.00	54.00	0.00000	4.90000	12	0
XXL	38.00	20.00	54.00	0.00000	5.00000	12	0
3XL	38.00	20.00	54.00	0.00000	5.20000	12	0
4XL	38.00	20.00	54.00	0.00000	5.30000	12	0